



Mid-Term Event
21th November 2017, Paris

 **Secure DCI**



Jörg-Peter Elbers, ADVA Optical Networking
jelbers@advaoptical.com

Enterprise Challenges



Data center traffic doubles every 3 years



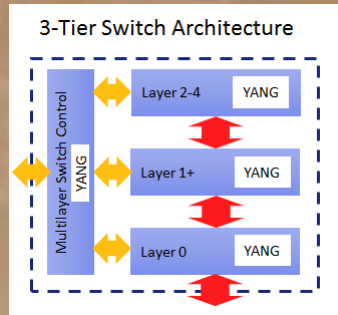
80% of IT costs occur after initial purchase (= OpEx)



Cyber crimes cost enterprises 11M\$/year on average

Sources: Cisco GCI, Gartner, Ponemon Institute

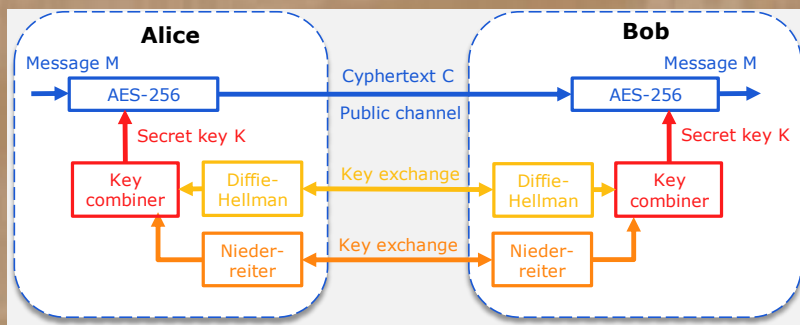
The Secure DCI Solution



Scalable, distributed data center fabric



Open control & automation framework

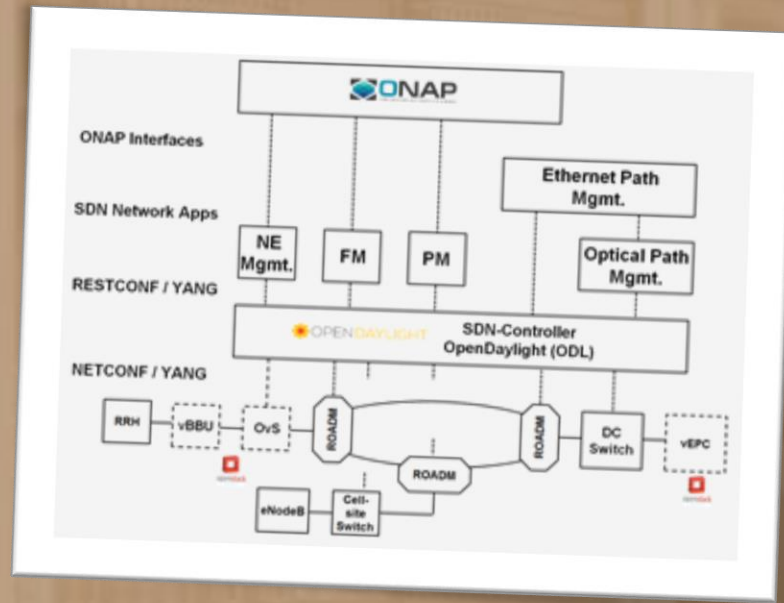


Integral quantum-safe security concept

Some Achievements



Open Transport
Proof-of-Concept



Open SDN & NFV
Lab Berlin



Quantum-Safe
Encryption Demo

28 publications
10 master & 7 PhD students
4+5 PoCs & demos
1 standards contribution

Business Prospects

- Data center switches & interconnects are a >15B\$ market
- Secure-DCI impact so far:
 - 5+ new partnerships
 - 2 new product proposals
 - Multiple new customer engagements
- Opportunity: Trusted solutions made in and for the EU!



Sources: Crehan Research, Ovum

Thank you



Jörg-Peter Elbers
ADVA Optical Networking
Fraunhoferstr. 9a
82152 Martinsried
Germany

jelbers@advaoptical.com
www.advaoptical.com



supported by



Tekes

